



PRESSURE RELIEF VALVES: AMMONIA RANGE

How It Works

The Ammonia Range of PRVs takes the proven technology employed in the standard range and encases it in a robust forged steel body, suitable for the demands of an Ammonia refrigeration system. The female NPTF connections allow for maximum sealing against leaks, whilst the angled layout gives more flexibility when routing the discharge piping required in Ammonia systems.

The main pressure shell of the valve is made from steel. All internal components are manufactured from plated or stainless steel. The seal is a bespoke non-stick and chemically-inert PTFE design.

Materials of Construction

The main pressure shelf of the valve is made from steel. All internal components are manufactured from plated or stainless steel. The seal is a bespoke non-stick and chemically-inert PTFE design.

Additional Features

- Suitable for HFC, HCFC, HFO, Ammonia and CO₂ refrigerant gases
- Supplied with an installation date sticker
- Dedicated hole for attachment of additional third party tags.
- Available marked in either metric (barg and kg Air/min) or imperial (PSig and lbs Air/min) units

Technical Specifications

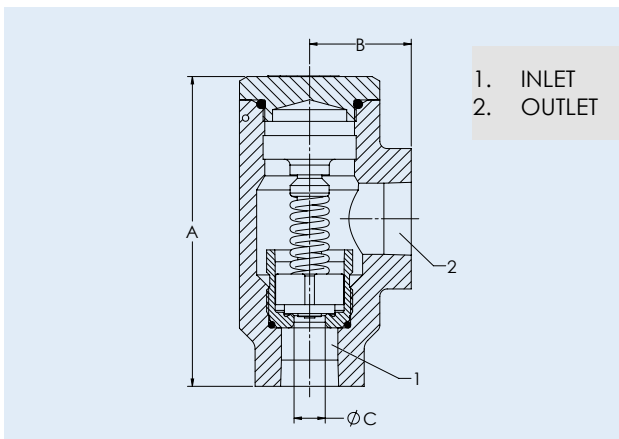
Set Pressure Range:

10.3 barg to 31.0 barg*
150 PSig to 450 PSig*

*Maximum setting on 5604 model is 24.1 barg (350 PSig)

Operating Temperature Range:

-29°C to +107°C



Installation Instructions



Scan or click the QR Code to download the full product installation and application instructions from our website.



Valve Model / Setting Combinations		5600	5601	5602	5603	5604
Setting (PSig)	Setting (barg)					
150	10.3					
225	15.5					
250	17.2					
275	19.0					
300	20.7					

Note: Blue indicates build to stock models

Relief Valves Ammonia Range										
Part No.	Connection Type		Dimensions (mm)			Flow Area (mm ²)	kdr	Weight (kg)	ASME (UV)	CE/UKCA Cat
	Inlet	Outlet	A	B	ØC					
5600	1/2" NPTF (Female)	3/4" NPTF (Female)	127	40.6	12.7	126.68	0.63	1.8		
5601	1/2" NPTF (Female)	1" NPTF (Female)	127	40.6	12.7	126.68	0.73	1.8		
5602	3/4" NPTF (Female)	1" NPTF (Female)	127	40.6	12.7	126.68	0.73	1.7	Yes	Cat IV
5603	1" NPTF (Female)	1.1/4" NPTF (Female)	140	50.8	12.7	126.68	0.77	1.8		
5604	1.1/4" NPTF (Female)	1.1/2" NPTF (Female)	188	58.4	17.9	250.41	0.74	3.1		